



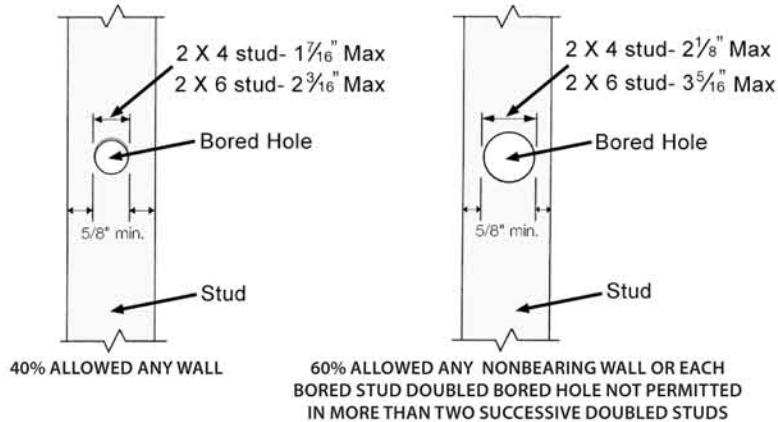
Building and Safety Division - Public Information

County of Ventura • Resource Management Agency • http://www.ventura.org/rma/build_safe
 Main Office • 800 S. Victoria Ave, Ventura, CA. 93009 • 805-654-2771
 East County Office • 3855-F Alamo St., 2nd Fl. # 2019A, Simi Valley, CA 93065 • 805-582-8064

CUTS, NOTCHES AND BORED HOLES IN STUDS

2007 CBC SECTIONS 2308.9.10

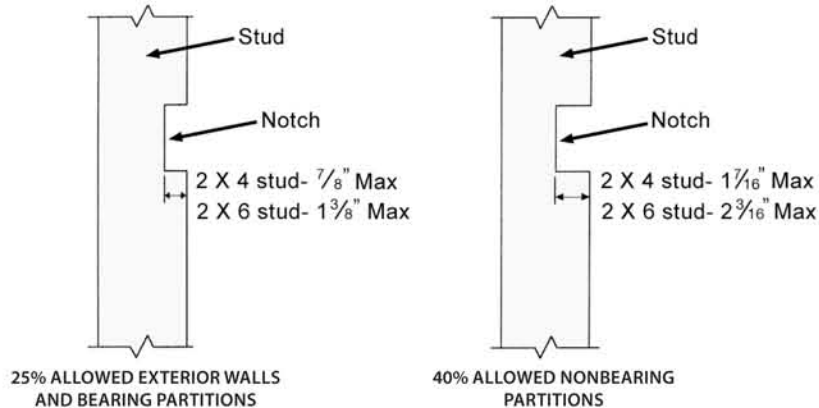
Bored Holes



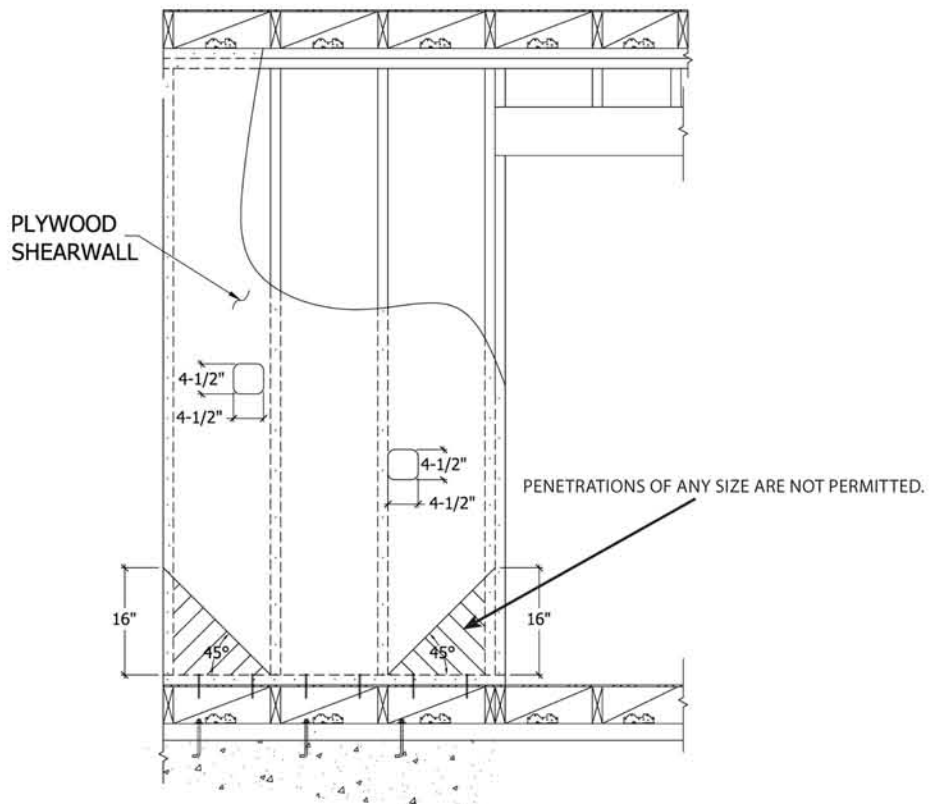
GENERAL NOTES:

1. Square holes and notches not recommended. Tapered corners recommended.
2. Cuts, notches and bored holes are not to be located adjacent to unsound or loose knots.
3. The total area of groups of holes may not be greater than the maximum hole allowed, and must be 24" apart.
4. Method of repair:
Wood or metal scabs.

Cutting and Notching



MECHANICAL PENETRATIONS OF WOOD SHEARWALL PANELS:



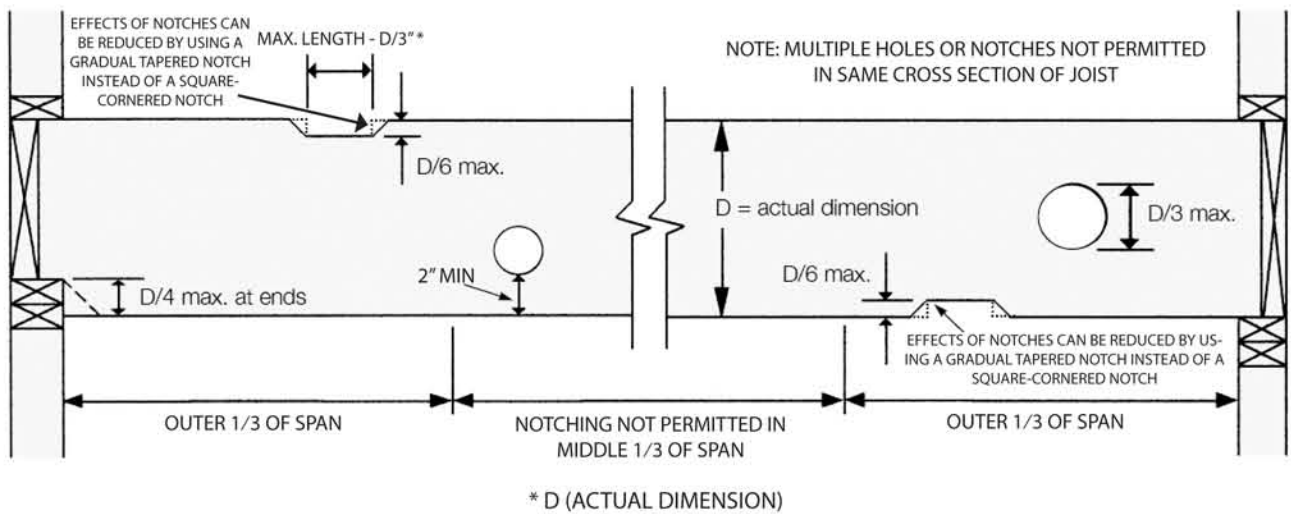
THE MAXIMUM ACCUMULATED LENGTH OF OPENINGS, IN ANY DIRECTION, IN A SHEARWALL PANEL SHALL NOT EXCEED 20% OF THE WALL LENGTH. IN A 4' PANEL, THE MAXIMUM LENGTH OF EACH OPENING SHALL NOT EXCEED 41/2" IN ANY DIRECTION.

(2) - 41/2" WIDE CUTS = 9" IN A 4' PANEL. THE 20% ALLOWABLE EQUALS 9.6" (NO CUTS OR HOLES IN SHEATHING WITHIN 16" OF CORNERS)

BUILDING OFFICIAL _____ DIVISION OF BUILDING AND SAFETY COUNTY OF VENTURA Jim MacDonald, CBO	B & S STD	B-21 Page 1 of 2
	Revised	December 2008

CUTS, NOTCHES AND BORED HOLES IN JOISTS & RAFTERS

2007 CBC SECTIONS 2308.8.2



MAXIMUM SIZES FOR CUTS IN FLOOR JOISTS

Joist Size	Max. Hole	Max Notch Depth	Max. End Notch
2x4	none	none	none
2x6	1-1/2"	7/8"	1-3/8"
2x8	2-3/8"	1-1/4"	1-7/8"
2x10	3"	1-1/2"	2-3/8"
2x12	3-3/4"	1-7/8"	2-7/8"

GENERAL NOTES:

1. Square holes and notches not recommended. Tapered corners recommended.
2. Cuts, notches and bored holes are not to be located adjacent to unsound or loose knots.
3. The total area of groups of holes may not be greater than the maximum hole allowed, and must be 24" apart.